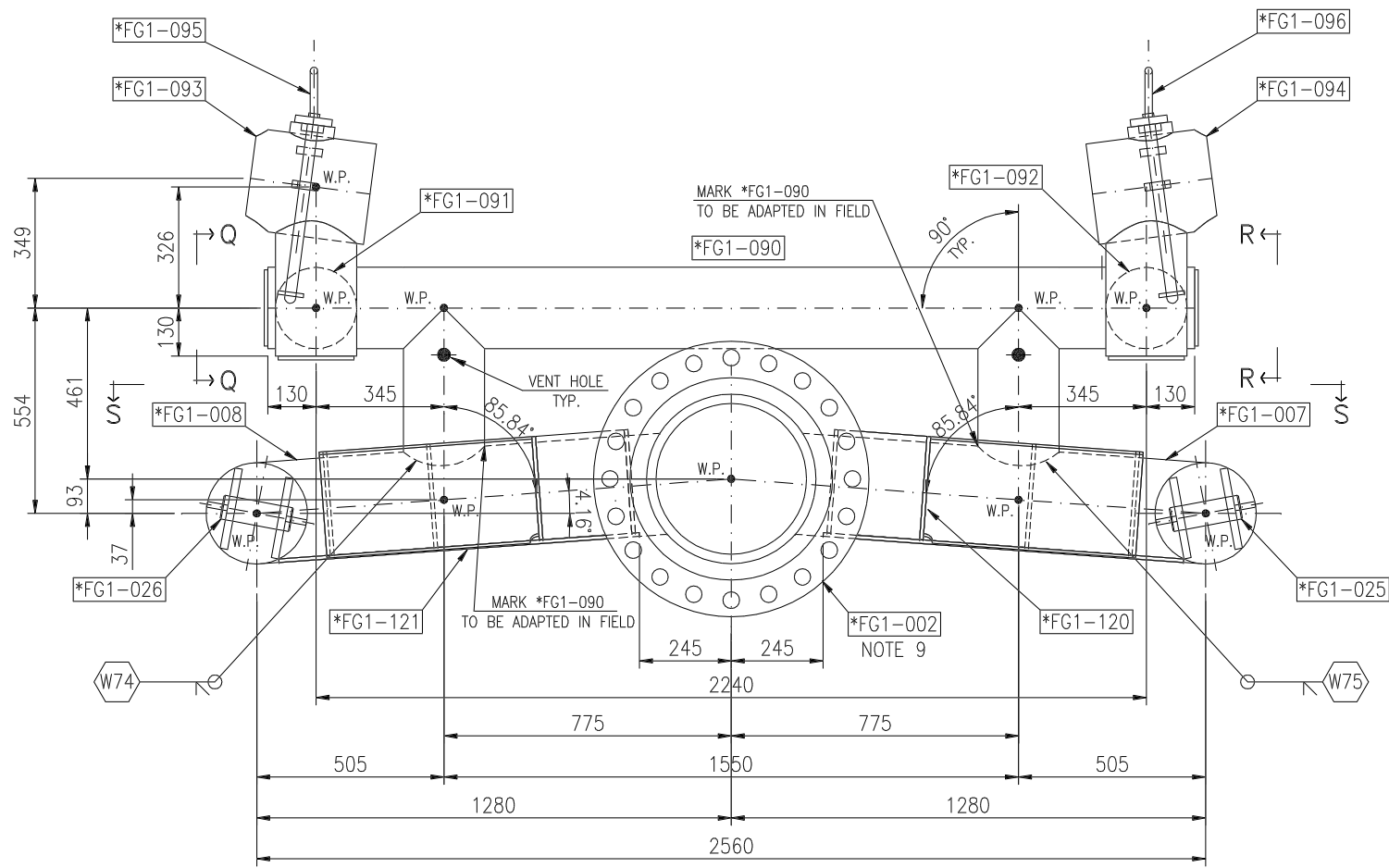
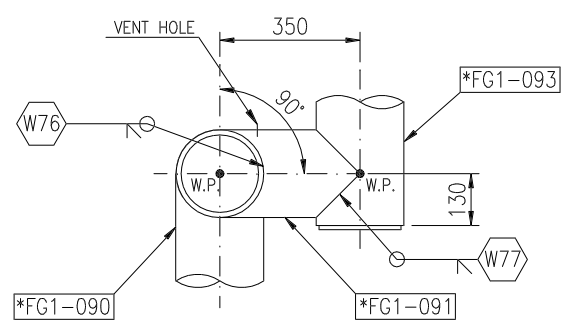


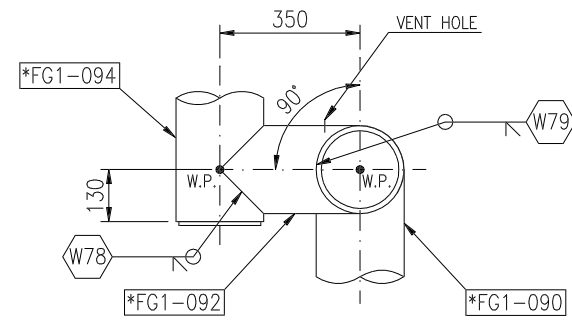
D



SECTION F-F

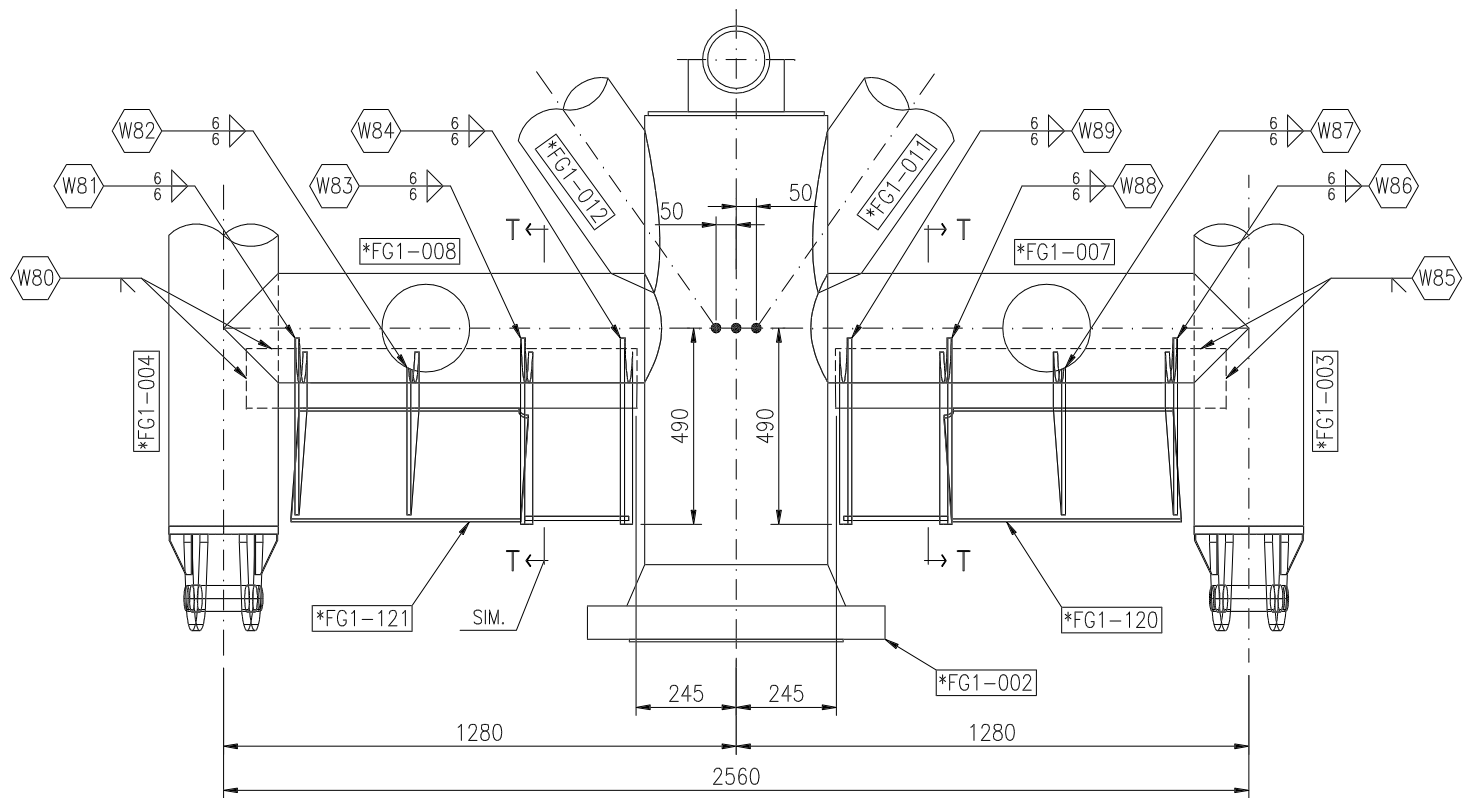


SECTION Q-Q

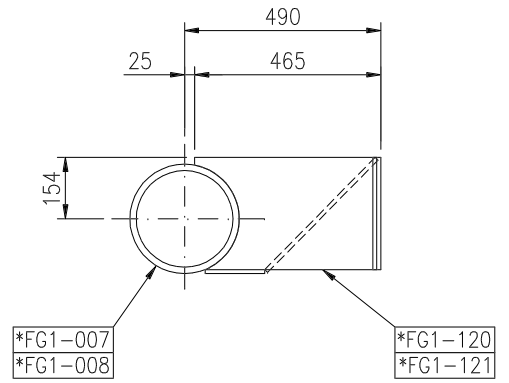


SECTION R-R

C



SECTION S-S



SECTION T-T

B

NOTES

- 1 - ALL DIMENSIONS ARE IN MILLIMETRES U.N.O.
- 2 - ALL ELEVATIONS ARE REFERRED TO MEAN LOW WATER (M.L.W.) ± 0.00 m.
- 3 - THE SYMBOL Wxx INDICATES WELDS TO BE PERFORMED DURING ERECTION
- 4 - *FG1-xxx = 1FG1-xxx, 2FG1-xxx, 3FG1-xxx
- 5 - 3 NO. REQD. MEANS 1 FOR 1FG1, 1 FOR 2FG1, 1 FOR 3FG1
- 6 - ● VENT HOLE NEAR SIDE
- 7 - FABRICATOR TO INSTALL ELASTOMETRIC CHECK VALVES IN EACH HOLE TO PREVENT FREE CIRCULATION OF WATER INSIDE MEMBERS FOR "IN-PLACE" CONDITIONS
- 8 - CONTACT SURFACES BENEATH WASHERS/NUTS SHALL BE LEFT BARE (OR PAINT REMOVED, IF ANY) FOR BOLTED CONNECTIONS TO GUARANTEE ELECTRICAL CONTINUITY
- 9 - TO BE ORIENTATED AS THAT UPPERMOST AND LOWERMOST BOLT HOLES ARE IN LINE WITH FLANGE VERTICAL AXIS
- 10 - WELD NUMBER: W74 - W89

0	20-01-07	ISSUED FOR CONSTRUCTION	GSE	L.O.	C.A.
---	----------	-------------------------	-----	------	------

WARNING: This document as printed may not be the latest version. Please refer to the electronic file in the MDR tools

	TOTAL UPSTREAM NIGERIA LIMITED NIGERIA - OML 130 AKPO Field Development Project		
	UMBILICALS, FLOWLINES AND RISERS (UFR) GAS INJECTION FLET TYPE FG1 ASSEMBLY-MAIN STRUCTURE-SECTIONS F-F, Q-Q-T-T		

Revision	Status	Class	Scale	PAGE
0	IFC	-	-	4/11

This drawing and the design it covers are the property of SAIPEM SONL. They are merely loaned and on the borrower's express agreement that they will not be reproduced, copied, loaned, exhibited, nor used except in the limited way and private use permitted by any written consent given by the lender to the borrower.